

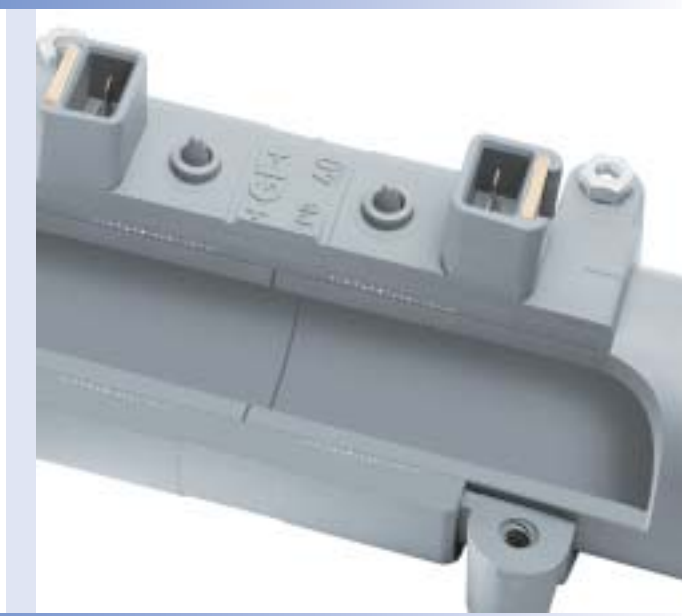
BEKOFLOW[®]

**THE EFFICIENT
COMPRESSED-AIR
PIPE SYSTEM**



150 % EXPENDITURE FOR 100 % YIELD

Free passages and smooth surfaces ensure easy compressed-air transport.



THIS IS THE EXPENSIVE REALITY

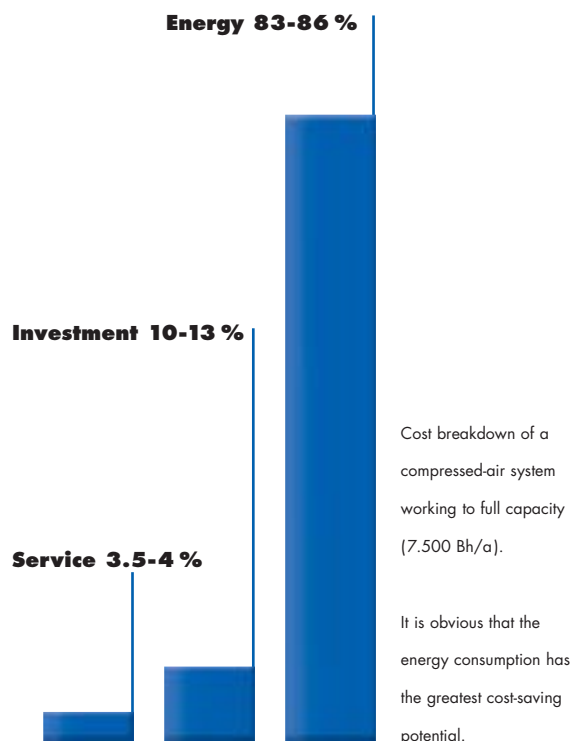
In most conventional compressed-air facilities up to 40 % of the generated energy is lost again before it reaches the point of use. This has been confirmed by independent studies.*

One of the main causes of this costly loss is pipe systems that have often simply "grown" over the years.

- Built-in constrictions of the pipe cross-section
- Leakages
- Corrosion
- Unsuitable fittings

BEKOFLOW® STOPS THE WASTAGE

The pressure loss is reduced to a minimum, built-in constrictions of the pipe cross-section are eliminated, leakages are eliminated, and the compressed-air quality remains constant.



*Quelle: EU-Studie, Druckluft effizient, Institut für Systemtechnik und Innovationsforschung, VDMA 2003.

The BEKOFLOW® standard range includes a variety of couplings and connections.



+ 1: NO INTERNAL FLOW RESTRICTIONS

+ 2: NO LEAKAGES

+ 3: EASY TO INSTALL

+ 4: NON-CORRODING

+ 5: HIGH ENERGY EFFICIENCY

+ 6: MAINTENANCE FREE

FORGET EVERYTHING YOU'VE HEARD SO FAR ABOUT PLASTIC PIPING.

The excellent quality of the BEKOFLOW® system is based on a superior material: polybutene. For this reason, BEKOFLOW® pipe systems are characterized by their

- resistance against all the usual compressor oils, in particular against synthetic oils
- continuous temperature resistance up to 70°C at 10 bar
- hygienic and toxicological safety, especially in sensitive areas
- suitability for permanent use, even at high operating temperatures
- strength and rigidity

After installation, the BEKOFLOW® system does not need any long hardening periods. It is ready for use only 60 minutes after welding.



SUPERIOR DETAILS

CONVINCING OVERALL CONCEPT

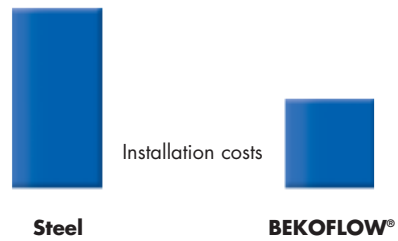
BEKOFLOW® FOCUSES ON ECONOMIC EFFICIENCY DOWN TO THE SMALLEST DETAIL.

Corrosion or contamination due to abrasion are not possible with this type of material, and thermoelectric welding of the individual components makes leakages a thing of the past. The smooth-walled pipe interior has no constrictions and guarantees optimum air throughput.

BEKOFLOW® a convincing concept with attention to detail.

BEKOFLOW® – ADVANTAGES THAT WILL BENEFIT YOUR BUDGET

- Time saving
- Simple installation without requiring specialists
- No additional lifting gear or holding devices
- Automatic welding



No deburring or chamfering of pipe ends required

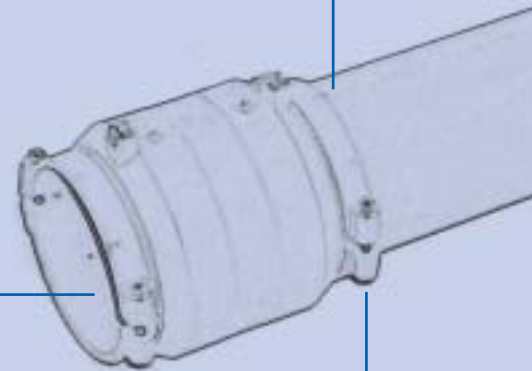
- Fast and simple installation
- No holding devices

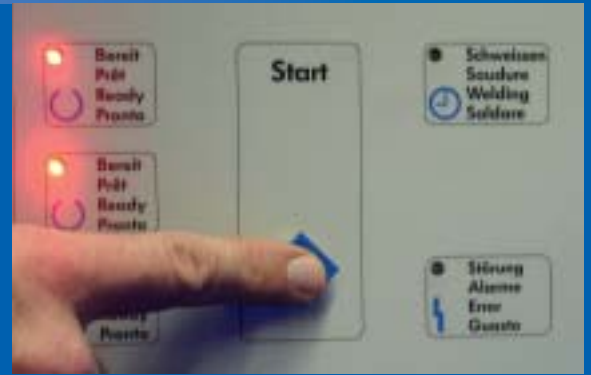
Rugged construction

Strong and reliable

Preliminary using screw fittings

- Fast and simple installation
- Adjustments possible before final welding





Polybutene is a light-weight material

Very easy, low-cost installation:

- Can be laid in the cable duct
- No additional lifting gear required

Up to three connections can be welded at the same time

(for example, on a T-branch).

- Fast installation

Polybutene has a low thermal conductivity.

- The outside temperature has little effect on the compressed-air quality

The chip enables the welding tool to recognize the component.

- Automatic welding
- After a short instruction, the welding tool is easy to use

Visual welding indicator

- Safety

Colour available: blue

- Automatic compliance with the labelling duty for compressed-air pipes

Polybutene is resistant against corrosion and abrasion

- Maintenance-free system
- No deposits inside the pipes
- No leakages
- No loss of pressure
- Economic operation

Resistance welding

- Continuity bonded

BEKOFLOW® -**TECHNICAL DATA AND INSTALLATION****BEKO – COMPRESSED-AIR QUALITY OF THE HIGHEST STANDARD**

With subsidiaries in every part of the globe, BEKO specialists to advise the customer and have an extensive marketing network comprising distributors and specialized dealers, BEKO offers hands-on customer service.

The BEKOFLOW® system completes our product package “from the compressor to the point of use”.

BEKOFLOW® INSTALLATION UNCOMPLICATED AND SIMPLE

Even large pipe networks are easy, fast and safe to install.

**TECHNICAL DATA****Material**

Polybutene (PB) 4137

Pipe series

S5 according to DIN 16968/16969

Dimensions

16 to 110mm = DN 12 – DN 100

Suitable for application in the temperature range

from -10°C to 80°C

Max. operating pressure

16 bar at 35°C

Lifetime

25 years – safety factor 1.6

Electrical connection for welding tool

230 V, 50/60 Hz

Other voltages upon enquiry

BEKOFLOW® INSTALLATION



1

Thoroughly clean the outside of the pipe ends and the inside of the connection elements using BEKOFLOW® cleaning cloths.



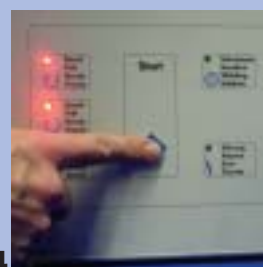
2

Join pipe and fitting, and tighten the screws.



3

Fit the cable plugs of the welding tool onto the sleeves provided.



4

Press the Start button to start the welding process. The device will set the welding time automatically.



5

When the indicator pin appears on the connection element, welding has been successfully completed.



6

Remove cable plugs; the connection is now fully welded.

BEKO

HIGH-QUALITY COMPRESSED-AIR SUPPLY

BEKOMAT®

The convincing concept for condensate drainage

ÖWAMAT®

Clean and safe oil-water separation. Enhanced efficiency with
OEKOSORB® replacement filters

BEKOSPLIT®

Splitting plants for the reliable, economic and environmentally
friendly treatment of emulsions

DRYPOINT®

The complete spectrum of products for compressed-air drying:
refrigeration dryers, adsorption dryers, membrane dryers

CLEARPOINT®

Highly reliable, flow-optimised filters and water separators for
compressed air and industrial gases

BEKOFLOW®

The innovative, cost-cutting compressed-air pipe system

BEKOBLIZZ®

Optimised cooling processes using deep-cooled, dry compressed air.

® Registered trademark of BEKO TECHNOLOGIES GmbH, Neuss, Germany



BEKO TECHNOLOGIES LTD.

2 West Court, Buntsford Park Road
Bromsgrove Worcestershire B60 3DX
internet: www.beko.de

Tel +44 1527 575778
Fax +44 1527 575779
email: beko@beko-uk.com



Subject to technical changes
without prior notice; the
information provided does
not represent characteristics
of state within the meaning
of the German Civil Code
(BGB).